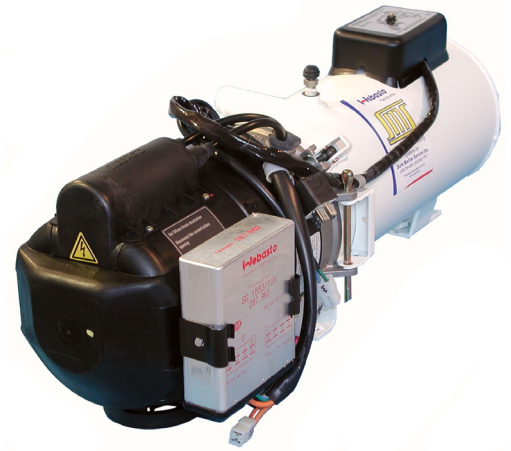


Heat Output:	50,000 btu
Fuel Consumption:	.4 gal/hr (1.5 l/hr)
Voltage:	12 or 24 volt DC available
Power Consumption (12v): Full:	7.1 amps
Coolant Operating Temperature: Opens at: Closes at:	158° F ( 70° C ) ± 6° F 140° F ( 60° C ) ± 9° F
Dimensions:	L 23" x W 8.1" x H 9" (584mm x 205mm x 228mm)
Weight:	33 lbs (15 kg)



The **DBW 2015** hydronic heater offered by Webasto will heat up to a 52 foot sailboat or a 50 foot powerboat. The **DBW 2015** utilizes 1" water hose to deliver heated coolant to dual 3/4" zones of fan heaters throughout the boat. The **DBW 2015** uses a 1-1/2" rigid exhaust system, and a 1/4" supply fuel system. The **DBW 2015** is available in 12 or 24 volts.

The **SMS** installation kit features:

### o Surewire Water

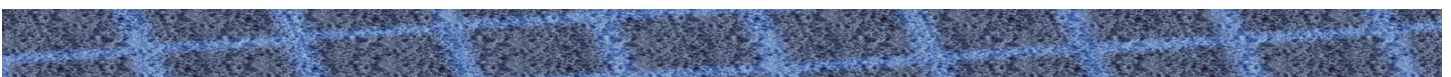
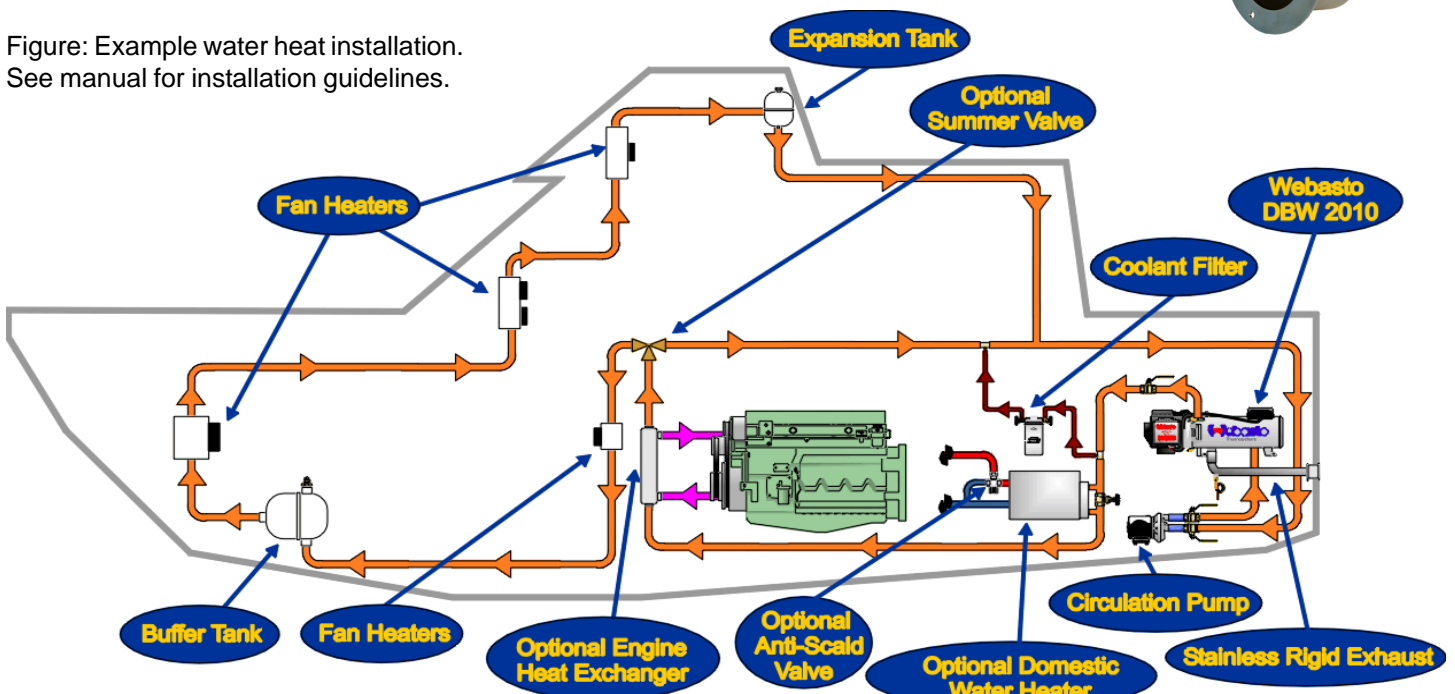
The Surewire Water board puts all electrical connections into one place making installation and troubleshooting of your heater easier than ever before. The Surewire Water is for all Webasto Water heaters. Features include:

- o Ready for hassle free **thermostat** wiring  
Up to **four zones!**
- o Domestic water heater control wiring
- o Easy to add **engine heat** control
- o **Hour meter** to track run time of the heater
- o Comes with **protective cover** and backing plate
- o **Breaker protection** of heater in one convenient place



### o Marine Installation Manual

Figure: Example water heat installation.  
See manual for installation guidelines.



# Marine Heating Price List

## DBW 2015

### Webasto Model DBW 2015 50,000 BTU Heater Kit

#### Basic Boat Hydronic Heater Installation Kit with SureWire



Part #	Item Description	Quantity	Price Per	Price Total
<b>Heater Equipment</b>				
DBW2015SW-12	Webasto Diesel Hot Water Heater 45,000 Btu 12v Marine Installation Manual Surewire Kit	1 each	\$3,168.82	\$3,168.82
<b>Mounting Equipment</b>				
W005-220	Aluminum Side Wall Mount Bracket	1 each	\$87.80	\$87.80
W600-014K	8MM Rubber Shock Mount Kit	1 each	\$41.01	\$41.01
<b>Electrical Equipment</b>				
SC1600L-BLACK	Digital Room Thermostat	1 each	\$57.46	\$57.46
W005-378K	On/off Switch Kit	1 each	\$24.62	\$24.62
75135K-30	Main Power Breaker Kit	1 each	\$16.45	\$16.45
W005-213-KIT	3/4" Inline Fan Aquastat	1 each	\$35.63	\$35.63
B7W10T-20-25FT	10-2 Power Supply Tinned Boat Cable	1 spool	\$24.75	\$24.75
B7W16T-20-100FT	16-2 Fan Heater Power Supply Tinned Boat Cable	2 spool	\$42.50	\$85.00
B7W16T-30-100FT	16-3 Room Thermostat Power Supply Tinned Boat Cable	1 spool	\$50.00	\$50.00
<b>Exhaust Equipment</b>				
W002-109	1-½" S/S 316 Grade Thru Hull FTG W/GSKTS	1 each	\$153.68	\$153.68
W005-110	1-½" S/S 316 Grade Long 90 Exhaust ELL W/Drain	1 each	\$107.58	\$107.58
W001-214	1-½" S/S 316 Grade Rigid Exhaust Tube / Foot	4 feet	\$17.36	\$69.44
W002-780	1-½" S/S Exhaust Clamps	3 each	\$14.07	\$42.21
W001-441B	Exhaust Insulation Blanket / Foot	5 feet	\$42.53	\$212.65
45050	High Temperature Exhaust Cement	1 pint	\$18.13	\$18.13
PERM-81878	High Temperature Silicone Sealer	1 tube	\$11.66	\$11.66
<b>Fuel Equipment</b>				
W11BVRK	Garber Fuel Filter With Mount Bracket, Valve & Fittings	1 each	\$85.56	\$85.56
001-449	1/4" A-1 Fuel Rated Hose	20 feet	\$2.22	\$44.40
W005-913-1-KIT	1/4" S/S Fuel Pickup Tube with w/Weldless Bushing Kit	1 each	\$101.57	\$101.57
<b>Water System Equipment</b>				
MP1200-12-2015	MP Model 1200 Water Circulation Pump Kit 1" - 15 gpm @ 5 ft head	1 each	\$614.81	\$614.81
WSMS-2LOOPK	2 Loop Manifold Kit 1" Hose to 3/4" Hose	2 each	\$48.20	\$96.40
WSMS-0092010	Water Conditioner Kit	1 each	\$209.74	\$209.74
W002-105B	SMS 5 Gallon Steel Buffer Tank Kit	1 each	\$229.66	\$229.66
W002-103	SMS 2-½ Gallon Steel Expansion Tank Kit	1 each	\$257.23	\$257.23
001-453	¾" Webasto System Hose / Foot	100 feet	\$3.13	\$313.00
002-850	1" Webasto System Hose / Foot	20 feet	\$3.65	\$73.00
002-621S-1"	1" Ball Valve with Hose Barb	2 each	\$34.05	\$68.10
001-394K	Drain Valve Kit	1 each	\$25.92	\$25.92
CLA-012	#12 S/S Hose Clamps	16 each	\$1.73	\$27.68
CLA-016	#16 S/S Hose Clamps	10 each	\$1.73	\$17.30
PERM-80019	Permatex Form-A -Gasket #3, 4oz Tube	1 tube	\$9.29	\$9.29
AS05	FasSeal-ATS Anaerobic Thread Sealant with PTFE	1 each	\$26.79	\$26.79
001-840	Sta/Clean Antifreeze / Gallon	4 gallons	\$25.67	\$102.68
<b>Fan Heater Equipment</b>				
RL6424	REAL Dual 4" Outlet <b>Salon</b> Fan Heater	1 each	\$392.92	\$392.92
RL6414	REAL Single 4" Outlet <b>Master Stateroom</b> Fan Heater	1 each	\$356.17	\$356.17
RL6214	REAL Single 4" Outlet <b>Stateroom</b> Fan Heater	1 each	\$307.94	\$307.94
RL6013	REAL Single 3" Outlet <b>Head</b> Fan Heater	1 each	\$246.61	\$246.61
W002-911.36	Fan Heater Two Speed Switch & Plate .36 amp	2 each	\$32.11	\$64.22
W002-911.70	Fan Heater Two Speed Switch & Plate .70 amp	2 each	\$32.89	\$65.78

Retail Price FOB Seattle

Price subject to change without notice

Jan-16

Authorized Dealer:

**\$7,943.66**

**First Mate Marine**  
www.firstmatemarine.com

(360) 301-5968

Please note, the prices listed are in U.S. Dollars.



Sure Marine Service  
5320 28th Ave. N.W.  
Seattle, WA 98107  
(800)562-7797 (206)784-9903  
www.suremarine.com